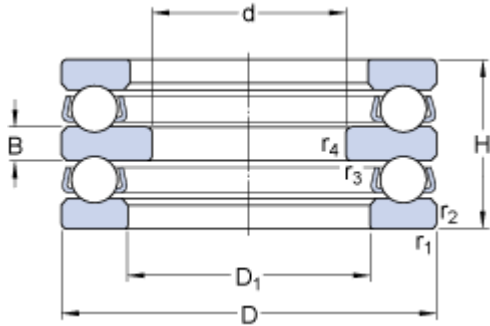


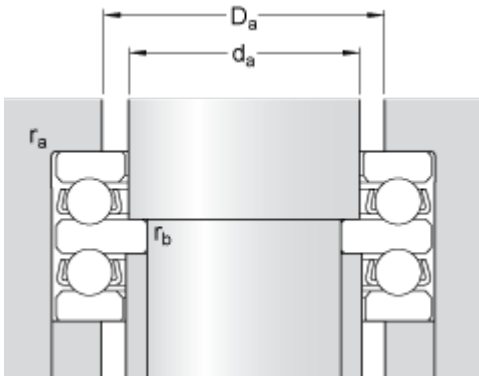
52202

Dimensions



d		10	mm
D		32	mm
H		22	mm
D ₁	≈	17	mm
B		5	mm
r _{1,2}	min.	0.6	mm
r _{3,4}	min.	0.3	mm

Abutment dimensions



d _a		15	mm
D _a	max.	22	mm
r _a	max.	0.6	mm
r _b	max.	0.3	mm

Calculation data

Basic dynamic load rating	C	15.9	kN
Basic static load rating	C ₀	25	kN
Fatigue load limit	P _u	0.915	kN
Reference speed		5300	r/min
Limiting speed		7500	r/min
Minimum load factor	A	0.0038	

Mass

Mass bearing (including seat washer when applicable)		0.081	kg
--	--	-------	----